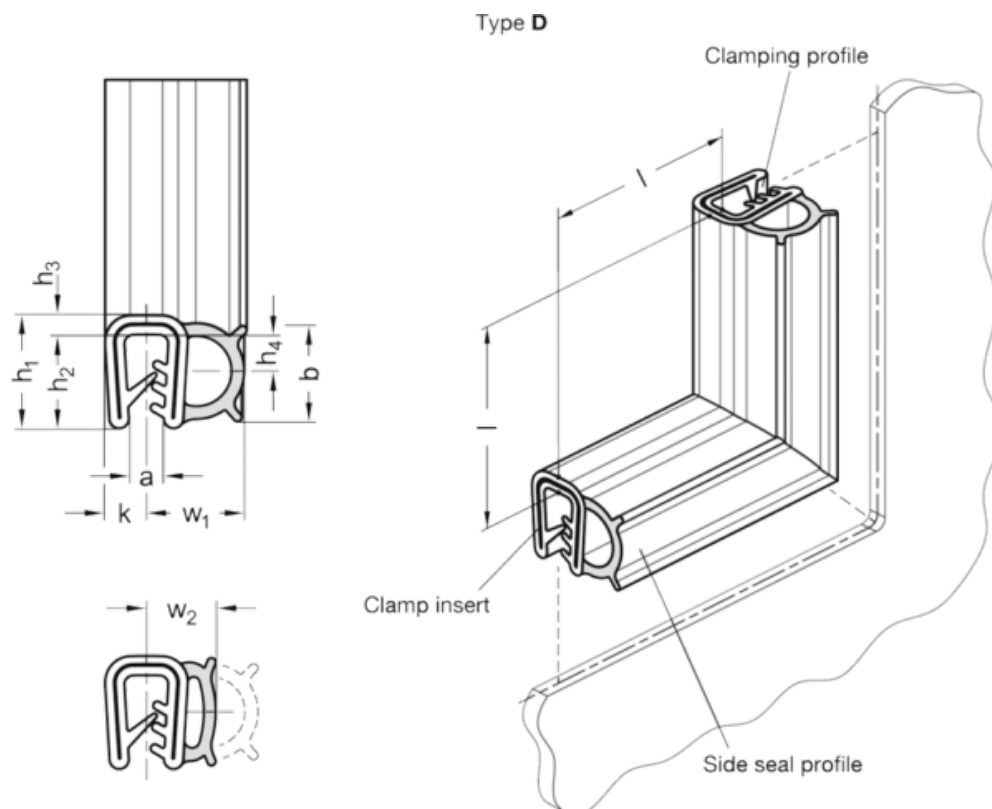


Article number: 202181EPDM13D400

Description: E+G Edge protection seal GN 2181-EPDM-13-D-400

Measures



a = 1 - 3.5	w1	= 11.25
b = 11	w2 up to 50% deformation	= 8.75
h1 = 13	Weight in (g)	= 112
h2 = 10.75		
h3 = 2.25		
h4 = 4.5		
l = 400 ±3.2		
k = 4.75		